

**KALEA**

# A4 CABINA GL



**KALEA**   
LIFTS

*NEXT LEVEL*

## The Cabin lift – for comfort and style

Kalea A4 Cabina GL is suitable for new as well as existing buildings. Especially appropriate in environments where easy installation is required without unnecessary alterations to the existing building. The Kalea A4 Cabina GL is a cost efficient solution as no need for extensive building work or separate machine room is required. The installation is easy to carry out and the lift requires a 100 mm pit only. The whole lift construction is delivered in small packages which enables entrance in narrow passages.

Maintenance can easily be done from inside the cabin.

### Design / Quality / Flexibility

Choose the standard shaft with powder-coated white steel panels combined with a cabin and panoramic sliding doors in grey and titanium colours. As an option, the entire lift can be painted in desired colour and steel panels can be exchanged by safety glass panels to blend into any environment. Together with a wide range of accessories the lift can be completely customized.

### A design that fits all

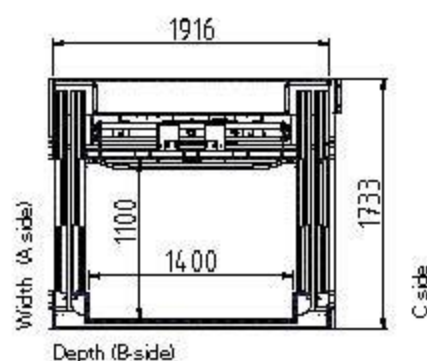
Kalea A4 Cabina GL is aesthetically styled with sliding doors in a variety of optional colours, suitable for all interior design requirements. The attractively designed cabin lift gets its warm atmosphere thanks to the soft LED lighting in the frosted white glass ceiling. Choose walls made of steel panels finished in off white RAL 9016, with corner profiles in aluminum, and mirrors surrounding the control panel as standard. Or tailor make the cabin lift according to your own choice. Make the lift part of your own colour scheme.

### Safety comes first

Kalea lift solutions are known for high reliability and safety. Emergency lowering in case of power failure is standard and all possible safety requirements are met. The lift is equipped with emergency stop and alarm system.

### Tested and certified

The Kalea A4 Cabina GL is constructed, tested and approved according to the Machinery Directive 2006/42/EC and EN 81-70. It also conforms to the applicable European standards. EC type approved and certified by Det Norske Veritas (DNV). The lift is CE marked and comes with a Declaration of Conformity.



Single entry A or C-side, or Open through

## TECHNICAL SPECIFICATION

Rated load	630 kg
Rated speed	max 0,15 m/sek (9 m/min)
Travel	≤ 13 m (max 6 landings)
Push buttons	Hold to run
Cabin dimension	1100 X 1400 mm (wxd)
Shaft dimension	1733 X 1728 mm (wxd), single entry 1733 X 1916 mm (wxd), open through
Cut out size	1775 X 1770 mm (wxd), single entry 1775 X 1960 mm (wxd), open through
Pit	100 mm
Doors	Two-bladed sliding doors Single entry A or C-side. Open through
Overhead clearance	2700 mm
Suspending ceiling	2195 mm
Entrance dimension	900 X 2100 mm (wxd)
Control system	Micro computer based Canbus System
Safety system	Emergency battery lowering (automatic stop at ground level) Speed governor, overload sensor with alarm
Power supply	380-400V, 3-phase 50/60Hz, 16 A, frequency converter
Motor power	4 kW
Lubrication	Automatic

Certified in accordance with MD 2006/42/EC and EN 81-70

## DESIGN FACTS

Shaft Finish	Steel panels finished white, RAL 9016
Door finish	Finished in Dark Grey (RAL 7024) or Titanium (RAL 7004) colour as standard
Control panels	Flat panel with inset buttons with braille, 7" screen with level indicator, maximum load and direction
Cabin wall	Steel panels finished in traffic white (RAL 9016), as standard, profiles in natural anodized aluminum
Cabin ceiling	Frosted white with LED spotlights
Floor	Grey rubber as standard.
Options	Cabin walls: steel panels in any RAL or mirror, glass on side A, B, C Shaft walls: steel panels in any RAL, glass on side A, B, C. Sliding doors: Panorama glass or fire proof EI60, other RAL colours. Telephones, locking systems, elbow buttons, IR-control, automatic shaft lightning, voice announcement, level indicator on door, extra control panel, light curtain, arrival bell and fire drive is optional